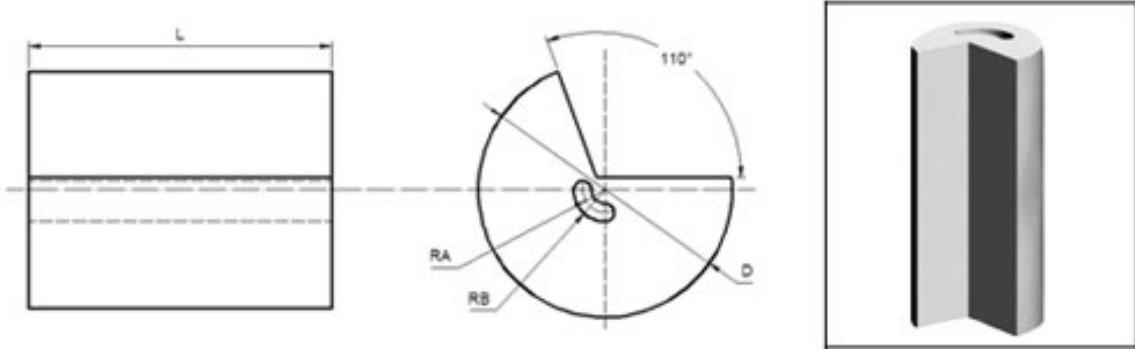




Cemented Carbide Rods for B-shaped Gundrill



Unit: mm

Type	D	L	RA	RB
CTC-GB069032	6.9	32	1.7	1.2
CTC-GB045032	4.5		1.1	0.7
CTC-GB055032	5.5		1.3	0.8
CTC-GB063032	6.3	34	1.6	0.9
CTC-GB076034	7.6		1.7	1.2
CTC-GB080034	8	36	1.8	1.3
CTC-GB086036	8.6		1.9	
CTC-GB090036	9		2	1.4
CTC-GB097036	9.7	2.2		