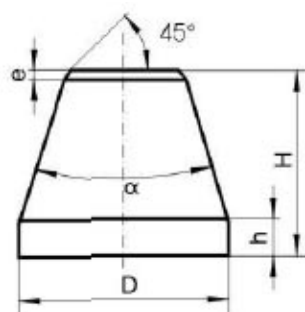


Cemented Carbide Conical Flat Top Button-Type CP-1



Unit: mm

Type	D	H	h	e	α°
CTC-GCP-9801	19.0	23.0	6.0	0.5	30
CTC-GCP-9802	19.0	23.0	6.3	0.6	30

Tolerance: D: +0.05; H: ± 0.30