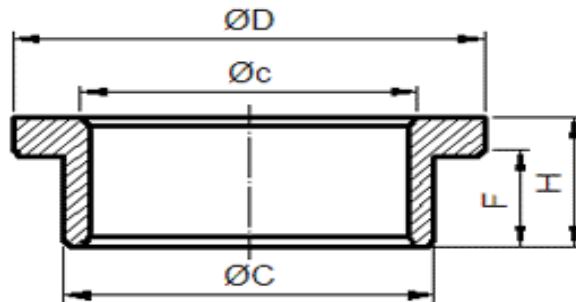




### Cemented Carbide T Model Sleeve



Unit: mm

Type	D	d	H
CTC-NDdH	10-450	3-360	8-260

Surface roughness: 3.2~0.1, roundness $\leq$ 0.01, parallelism $\leq$ 0.01, verticality $\leq$ 0.01,  
concentricity $\leq$ 0.025, the round beating $\leq$ 0.025, the whole beating $\leq$ 0.025