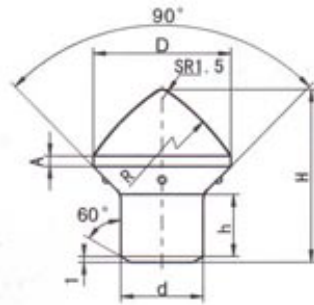




Cemented Carbide Auger



Unit: mm

Type	D	d	H	h	R	A
CTC-JJC-Φ1822	18	10	22	8.0	30	1.5
CTC-JJC-Φ2025	20	12	25	10.0	35	1.5
CTC-JJC-Φ2027	20	12	27	10.5	35	4.0
CTC-JJC-Φ2228	22	14	28	12.0	40	1.5

Tolerance: D: -0.4~-0.1; d: -0.4~-0.1