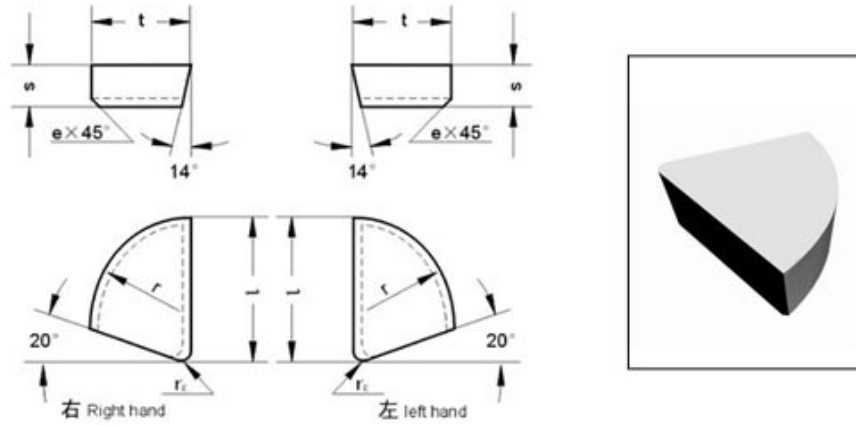




Cemented Carbide Brazed Tip-Type A2



Unit: mm

Type	L	t	s	r	re	e
CTC-GA208	8.0	7.0	2.5	7.0	0.5	/
CTC-GA210	10.0	8.0	3.0	8.0	1.0	/
CTC-GA212	12.0	10.0	4.5	10.0	1.0	0.8
CTC-GA216	16.0	14.0	6.0	14.0	1.0	0.8
CTC-GA220	20.0	18.0	7.0	18.0	1.0	0.8
CTC-GA225	25.0	20.0	8.0	20.0	1.0	0.8
CTC-GA212Z	12.0	10.0	4.5	10.0	1.0	0.8
CTC-GA216Z	16.0	14.0	6.0	14.0	1.0	0.8
CTC-GA220Z	20.0	18.0	7.0	18.0	1.0	0.8
CTC-GA225Z	25.0	20.0	8.0	20.0	1.0	0.8

Tolerance: ± 1.3