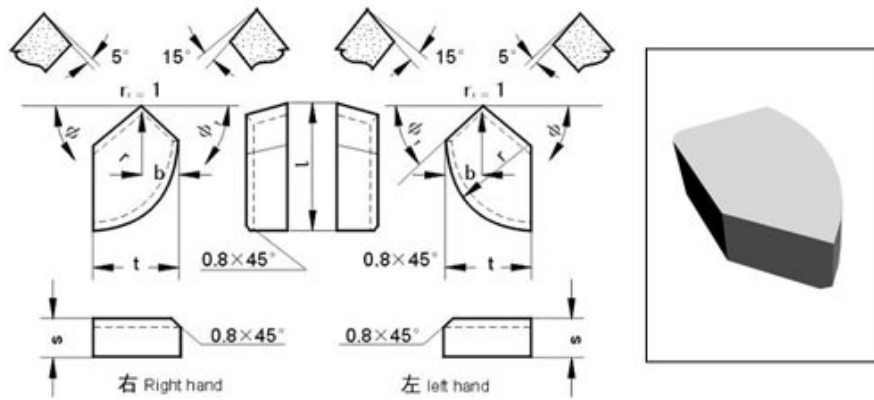




Cemented Carbide Brazed Tip-Type A5



Unit: mm

Type	L	t	s	b	r	Φ	Φ1
CTC-GA515	15.0	10.0	4.5	5.0	10.0	45°	40°
CTC-GA518	18.0	12.0	5.5	4.0	12.0	45°	50°
CTC-GA515Z	15.0	10.0	4.5	5.0	10.0	45°	40°
CTC-GA518Z	18.0	12.0	5.5	4.0	12.0	45°	50°

Tolerance: ±1.3