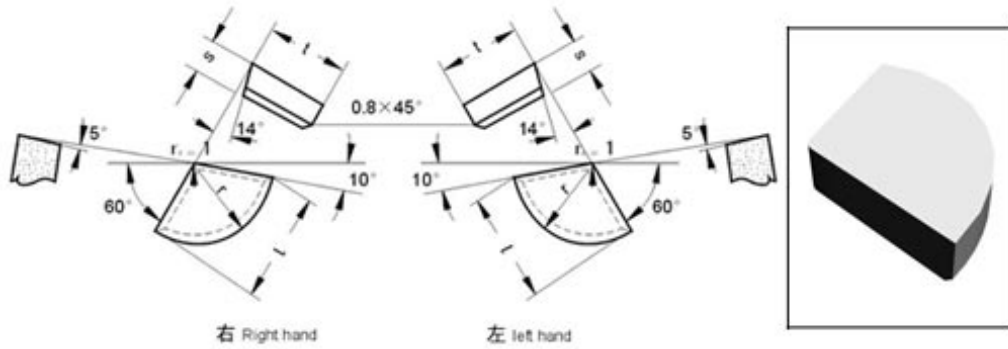




Cemented Carbide Brazed Tip-Type A6



Unit: mm

Type	L	t	s	r
CTC-GA612	12.0	8.0	3.0	8.0
CTC-GA615	15.0	10.0	4.0	10.0
CTC-GA618	18.0	12.0	4.5	12.0
CTC-GA612Z	12.0	8.0	3.0	8.0
CTC-GA615Z	15.0	10.0	4.0	10.0
CTC-GA618Z	18.0	12.0	4.5	12.0

Tolerance: ± 1.3