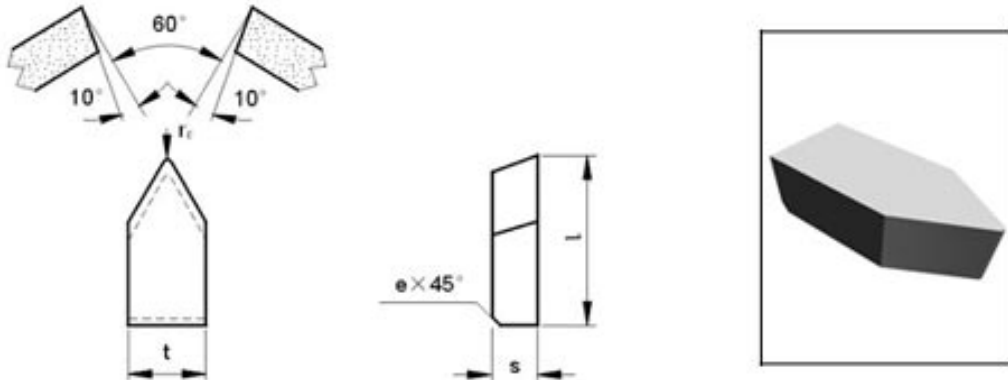




Cemented Carbide Brazed Tip-Type C1



Unit: mm

Type	L	t	s	re	e
CTC-GC110	10.0	4.0	3.0	0.5	/
CTC-GC116	16.0	6.0	4.0	0.5	0.8
CTC-GC120	20.0	8.0	5.0	0.5	0.8
CTC-GC122	22.0	10.0	6.0	0.5	0.8
CTC-GC125	25.0	12.0	7.0	0.8	0.8

Tolerance: ± 1.3