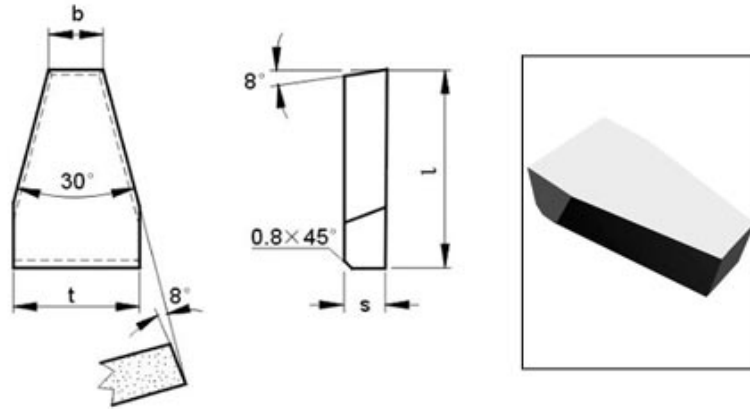




Cemented Carbide Brazed Tip-Type C2



Unit: mm

Type	L	t	b	s
CTC-GC215	15.0	7.0	1.8	4.0
CTC-GC218	18.0	10.0	3.1	5.0
CTC-GC223	23.0	14.0	4.9	5.0
CTC-GC228	28.0	18.0	7.7	6.0
CTC-GC236	36.0	28.0	13.1	7.0

Tolerance: ± 1.3