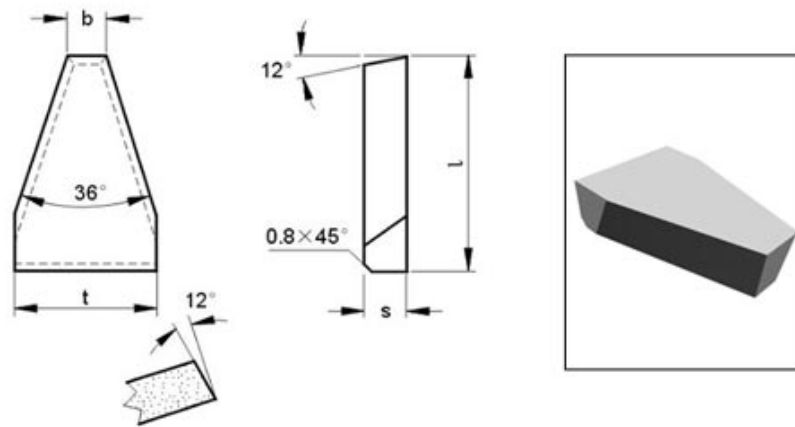




### Cemented Carbide Brazed Tip-Type C4



Unit: mm

Type	L	t	b	s
CTC-GC420	20.0	12.0	3.0	5.0
CTC-GC425	25.0	16.0	4.0	5.0
CTC-GC430	30.0	20.0	5.5	6.0
CTC-GC435	35.0	25.0	7.5	6.0
CTC-GC442	42.0	35.0	12.5	8.0
CTC-GC450	50.0	42.0	15.0	8.0

Tolerance:  $\pm 1.3$