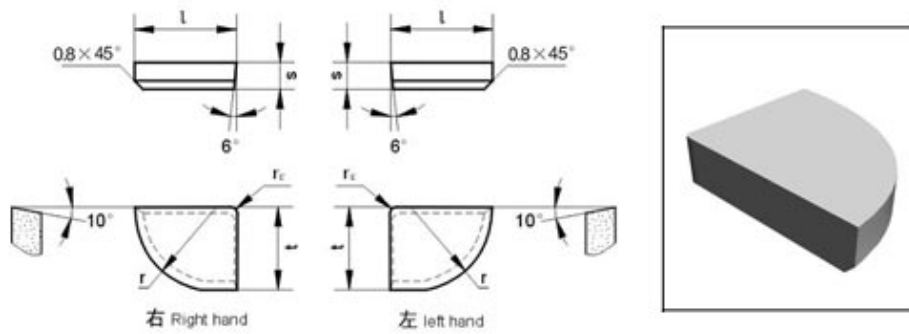




Cemented Carbide Brazed Tip-Type D1



Unit: mm

Type	L	t	s	r	re
CTC-GD110	10.0	8.0	2.5	8.0	0.5
CTC-GD112	12.0	10.0	3.0	10.0	0.5
CTC-GD115	15.0	12.0	3.5	12.5	0.5
CTC-GD120	20.0	16.0	4.0	16.0	1.0
CTC-GD125	25.0	20.0	5.0	20.0	1.0
CTC-GD130	30.0	20.0	6.0	20.0	1.0
CTC-GD115Z	15.0	12.0	3.5	12.5	0.5
CTC-GD120Z	20.0	16.0	4.0	16.0	1.0
CTC-GD125Z	25.0	20.0	5.0	20.0	1.0
CTC-GD130Z	30.0	20.0	6.0	20.0	1.0

Tolerance: ± 1.3