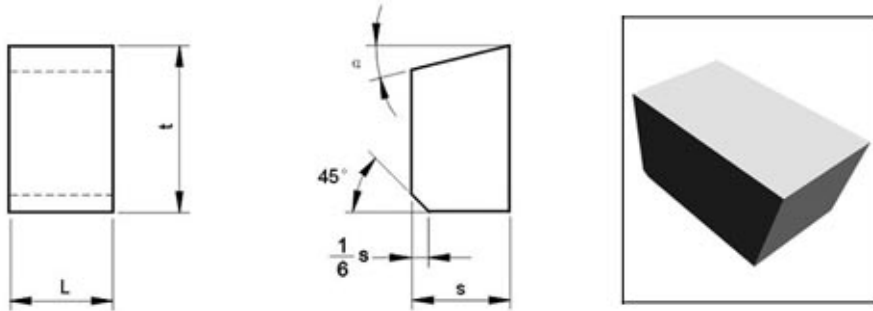




### Cemented Carbide Brazed Tip-Type D



Unit: mm

Type	L	t	s	$\alpha$
CTC-GD3	3.5	8.0	3.0	/
CTC-GD4	4.5	10.0	4.0	14°
CTC-GD5	5.5	12.0	5.0	14°
CTC-GD6	6.5	14.0	6.0	14°
CTC-GD8	8.5	16.0	8.0	14°
CTC-GD10	10.5	18.0	10.0	14°
CTC-GD12	12.5	20.0	12.0	14°

Tolerance: 0~+2.0