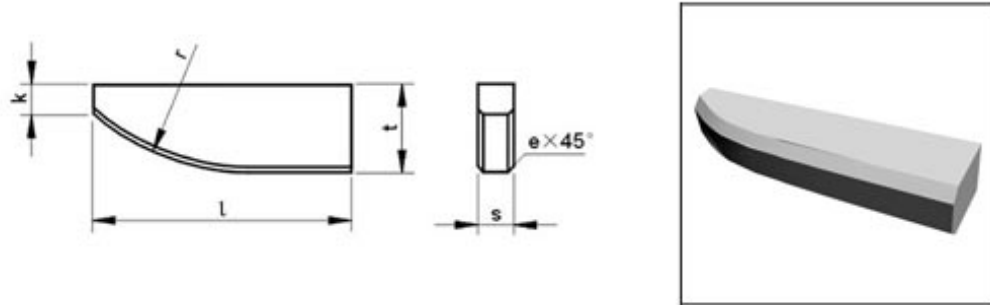




Cemented Carbide Brazed Tip-Type E3



Unit: mm

Type	L	t	s	k	r	e
CTC-GE312	12.0	6.0	1.5	1.5	20.0	/
CTC-GE315	15.0	3.5	2.0	1.5	20.0	/
CTC-GE315A	15.0	7.0	2.0	2.5	20.0	/
CTC-GE320	20.0	4.5	2.5	2.5	25.0	/
CTC-GE320A	20.0	6.0	3.5	2.5	25.0	0.5
CTC-GE320B	20.0	9.0	2.5	3.5	25.0	/
CTC-GE325	25.0	8.0	3.0	3.5	30.0	0.5
CTC-GE325A	25.0	15.0	3.0	3.5	30.0	0.5
CTC-GE330	30.0	10.0	4.0	3.5	30.0	0.5
CTC-GE330A	30.0	21.0	4.0	3.5	30.0	0.5
CTC-GE335A	35.0	10.0	5.0	3.5	30.0	0.5
CTC-GE340	40.0	12.0	5.0	3.5	30.0	0.5
CTC-GE345	45.0	12.0	6.0	3.5	30.0	0.5

Tolerance: ± 1.3