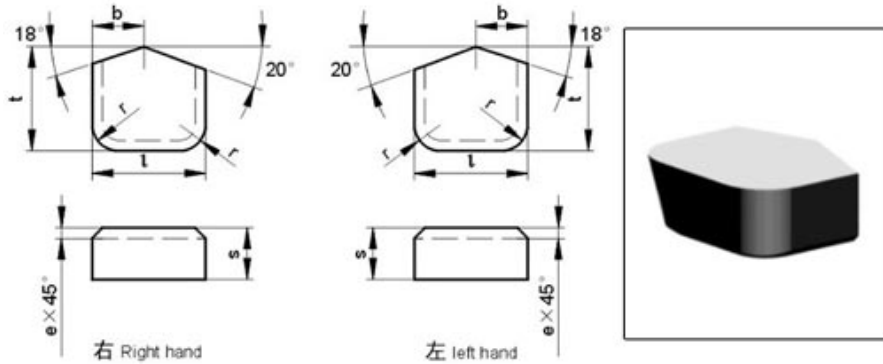




### Cemented Carbide Brazed Tip-Type E6



Unit: mm

Type	L	t	s	b	r	e
CTC-GE606	6.0	5.0	3.5	2.0	2.0	0.5
CTC-GE606Z	6.0	6.0	3.5	2.0	2.0	0.5
CTC-GE609	9.0	7.0	5.0	4.0	1.0	0.0
CTC-GE611	11.0	10.0	5.0	5.0	2.0	1.0
CTC-GE612Z	12.0	10.5	5.0	6.0	1.0	0.0
CTC-GE614Z	14.0	13.0	5.0	6.0	2.5	0.0
CTC-GE615Z	15.0	13.0	5.0	6.0	2.5	0.0

Tolerance:  $\pm 1.3$