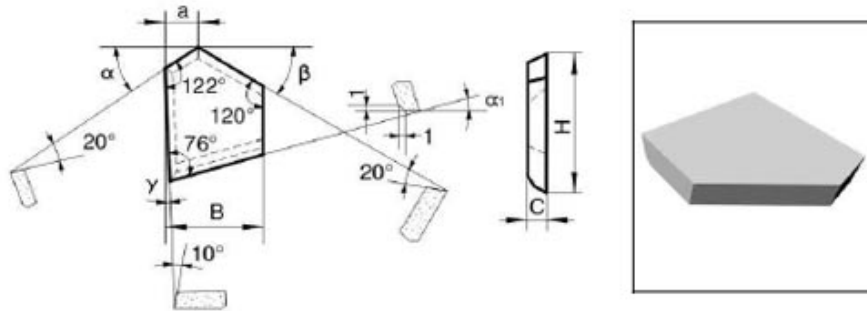




### Cemented Carbide Coal Mining Tool-Type M11



Unit: mm

Type	H	B	C	$\alpha^\circ$	$\beta^\circ$	$\gamma^\circ$	$\alpha1^\circ$	a
CTC-GM11-00005	19.0	15.0	2.8	35	30	3	20	5.0
CTC-GM11-94001	21.0	15.0	3.0	35	30	3	20	5.0

Tolerance:  $\pm 1.0$