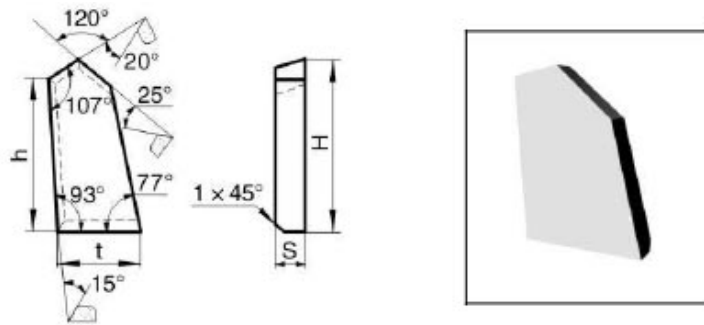




Cemented Carbide Coal Mining Tool-Type M11



Unit: mm

Type	L	H	h	S
CTC-GM113	13.40	26.00	23.80	3.00

Tolerance: ± 1.0