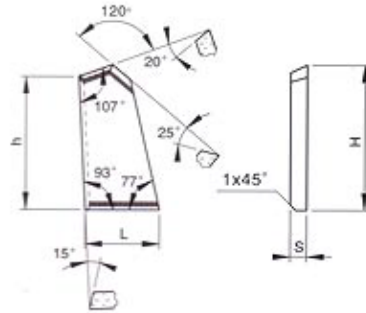




Cemented Carbide Coal Mining Tool-Type M11



Unit: mm

Type	L	H	h	S
CTC-JM1112	12	18	15.8	3
CTC-JM1113	13.4	26	23.8	3

Tolerance: L: ± 0.35 ; H: ± 0.5 ; h: ± 0.5 ; S: ± 0.3