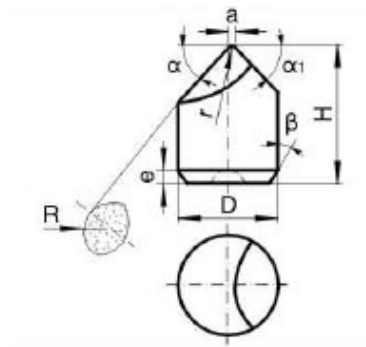




Cemented Carbide Coal Mining Tool-Type M21



Unit: mm

Type	D	H	R	a	α°	$\alpha 1^\circ$	β°	e	r
CTC-GM2110A	10.0	20.0	5.5	1.5	50	52	45	1.0	1.0
CTC-GMX-94504	15.0	22.0	10.0	1.2	39	51	60	3.2	1.0

Tolerance: ± 1.0