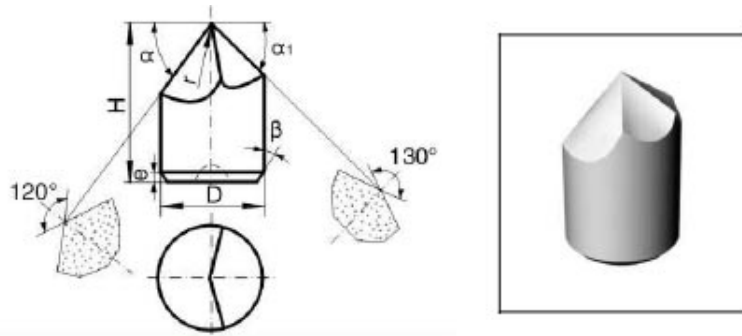




Cemented Carbide Coal Mining Tool-Type M23



Unit: mm

Type	D	H	α°	$\alpha1^\circ$	β°	e	r
CTC-GM2312	12.0	22.0	56	48	30	2.0	1.0
CTC-GM2314	14.0	22.0	56	48	45	2.0	1.0

Tolerance: ± 1.0