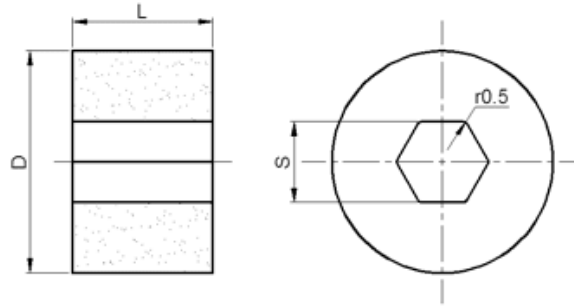




### Cemented Carbide Hexagonal Nuts Cold Forging Dies



Unit: mm

Type	S	D	L	apply to
CTC-SΦ2.6×Φ12×10	2.6	12	10	M1.6
CTC-SΦ3.4×Φ12×10	3.4			M2
CTC-SΦ4.4×Φ16×12	4.4	16	12	M2.5
CTC-SΦ4.8×Φ16×12	4.8			M3
CTC-SΦ6.3×Φ20×16	6.3	20	16	M4
CTC-SΦ7.2×Φ24×16	7.2	24		M5
CTC-SΦ9.2×Φ30×16	9.2	30		M6
CTC-SΦ12.1×Φ32×10	12.1	32	10	M8
CTC-SΦ12.1×Φ32×20			20	
CTC-SΦ15.1×Φ40×24	15.1	40	24	M10
CTC-SΦ15.1×Φ40×30			30	
CTC-SΦ17×Φ44×30	17	44	30	M12
CTC-SΦ19.9×Φ52×36	19.9	52		36
CTC-SΦ22.8×Φ58×42	22.8	58	42	M16
CTC-SΦ28.1×Φ72×50	28.1	72	50	M20

Tolerance: S: -1.2~0; L、D: +0.5~+2.75; curvature: ≤0.40