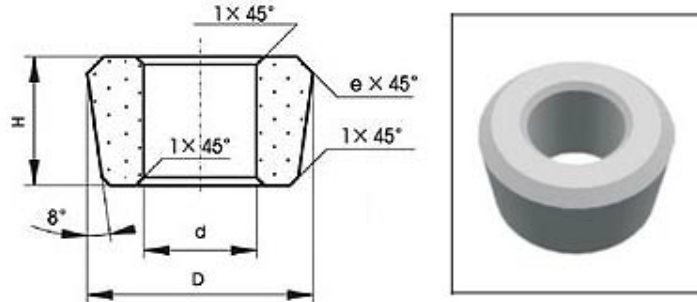




### Cemented Carbide Drawing Dies Type 30



Unit: mm

Type	D	H	d	e
CTC-B30-0151200-6.0	15	12	6	1
CTC-B30-0171200-8.0	17		8	
CTC-B30-0191400-10.0	19.5	14	10	
CTC-B30-0211400-10.0	21.5		10	
CTC-B30-0231600-12.0	23.5	16	12	
CTC-B30-0251600-14.0	25.5		14	
CTC-B30-0271600-14.0	27.5		14	
CTC-B30-0282700-15.0	28	27	15	2
CTC-B30-0292700-15.0	29.2			
CTC-B30-0302700-15.0	30.4			
CTC-B30-0312700-15.0	31.6			
CTC-B30-0322700-15.0	32.2			
CTC-B30-0332700-15.0	33.4		17	
CTC-B30-0342700-17.0	34			
CTC-B30-0352700-17.0	35.2			
CTC-B30-0362700-17.0	36.4			
CTC-B30-0372700-19.0	37			
CTC-B30-0382700-19.0	38.2	19		
CTC-B30-0392700-19.0	39.4			
CTC-B30-0402700-21.0	40			
CTC-B30-0412700-21.0	41			
CTC-B30-0422700-21.0	42			
CTC-B30-0432700-21.0	43	21	3	
CTC-B30-0443200-23.0	44			
CTC-B30-0453200-23.0	45			
CTC-B30-0463200-23.0	46			
CTC-B30-0473200-25.0	47			
CTC-B30-0483200-25.0	48	32	25	
CTC-B30-0493200-25.0	49			
CTC-B30-0503200-25.0	50			
CTC-B30-0513200-25.0	51			



Continued

Unit: mm

Type	D	H	d	e	
CTC-B30-0523200-25.0	52	32	25	4	
CTC-B30-0533200-25.0	53				
CTC-B30-0543200-28.0	54				
CTC-B30-0553200-28.0	55				
CTC-B30-0563200-28.0	56				
CTC-B30-0573200-28.0	57				
CTC-B30-0583500-28.0	58	35	28		
CTC-B30-0593500-28.0	59				
CTC-B30-0603500-28.0	60				
CTC-B30-0613500-28.0	61				
CTC-B30-0623500-28.0	62				
CTC-B30-0633500-28.0	63				
CTC-B30-0643500-28.0	64	27	21	3	
CTC-B30-0412700-21.0	41				
CTC-B30-0422700-21.0	42				
CTC-B30-0432700-21.0	43				
CTC-B30-0443200-23.0	44				
CTC-B30-0453200-23.0	45				
CTC-B30-0463200-23.0	46	32	25	4	
CTC-B30-0473200-25.0	47				
CTC-B30-0483200-25.0	48				
CTC-B30-0493200-25.0	49				
CTC-B30-0503200-25.0	50				
CTC-B30-0513200-25.0	51				
CTC-B30-0523200-25.0	52	32	28		4
CTC-B30-0533200-25.0	53				
CTC-B30-0543200-28.0	54				
CTC-B30-0553200-28.0	55				
CTC-B30-0563200-28.0	56				
CTC-B30-0573200-28.0	57				
CTC-B30-0583500-28.0	58	35	28		
CTC-B30-0593500-28.0	59				
CTC-B30-0603500-28.0	60				
CTC-B30-0613500-28.0	61				
CTC-B30-0623500-28.0	62				
CTC-B30-0633500-28.0	63				
CTC-B30-0643500-28.0	64				

Tolerance: d: 0~+1.0; D: +0.2~+1.2