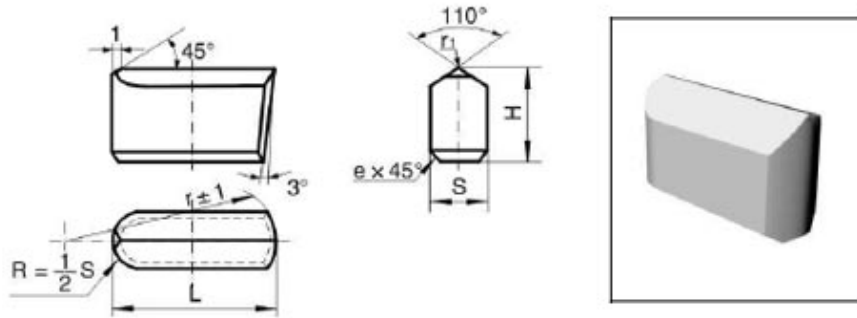




Cemented Carbide Drill Bit-Type K21



Unit: mm

Type	L	H	S
CTC-GK2114	14.0	12.0	8.0
CTC-GK2116	16.0	12.0	8.0
CTC-GK2118	18.0	14.0	10.0
CTC-GK2120	20.0	16.0	10.0
CTC-GK2126	26.0	16.0	10.0
CTC-GK21-77001	28.0	18.0	10.0
CTC-GK21-82001	29.0	18.0	10.0
CTC-GK2130	30.0	16.0	12.0
CTC-GK2132	32.0	16.0	12.0
CTC-GK2135	35.0	16.0	12.0
CTC-GK2139	39.0	18.0	14.0
CTC-GK2143	43.0	20.0	14.0

Tolerance: ± 1.3