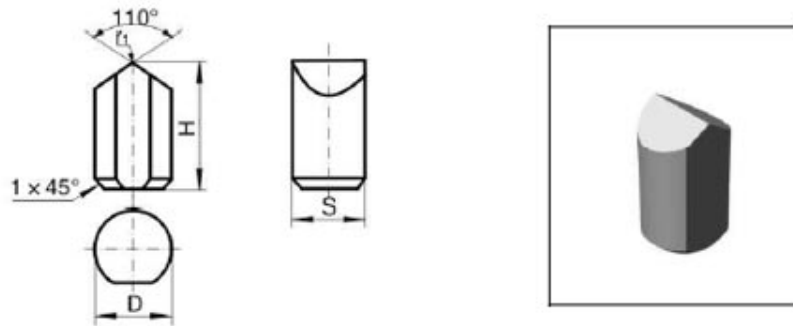




Cemented Carbide Drill Bit-Type K2



Unit: mm

Type	D	H	S
CTC-GK208	8.0	16.0	7.6
CTC-GK210	10.0	16.0	9.3
CTC-GK212	12.0	16.0	11.0

Tolerance: ± 1.3