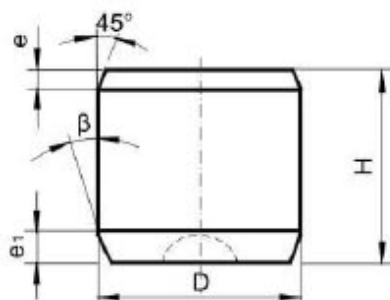


Cemented Carbide Flat Top Button-Type CP



Unit: mm

Type	D	H	β°	e1	e
CTC-GCP0707	7.0	7.0	18	1.1	0.5
CTC-GCP0806	8.0	6.0	18	1.1	0.5
CTC-GCP0907	9.0	7.0	18	1.2	0.5
CTC-GCP1008	10.0	8.0	18	1.2	0.5
CTC-GCP1109	11.0	9.2	18	1.2	1.0
CTC-GCP1210	12.0	10.0	18	1.5	0.8
CTC-GCP1212	12.0	12.3	18	1.5	1.5
CTC-GCP1412	14.0	12.0	18	1.5	1.0

Tolerance: D: +0.05; H: ± 0.30