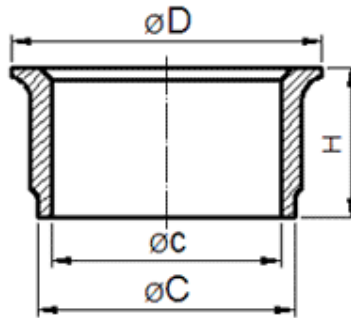




Cemented Carbide Special Sleeve



Unit: mm

Type	D	d	H
CTC-NDdH	10-450	3-360	8-260

Surface roughness: 3.2~0.1, roundness \leq 0.01, parallelism \leq 0.01, verticality \leq 0.01,
concentricity \leq 0.025, the round beating \leq 0.025, the whole beating \leq 0.025