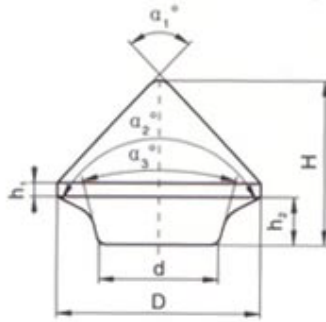




Cemented Carbide Parabolic Button



Unit: mm

Type	D	d	H	h1	h2	α_1°	α_2°	α_3°
CTC-JJGQ25/61-3	15.0	8.8	11.0	1.0	3.5	95	126	30

Tolerance: D: ± 0.15 ; H: ± 0.20