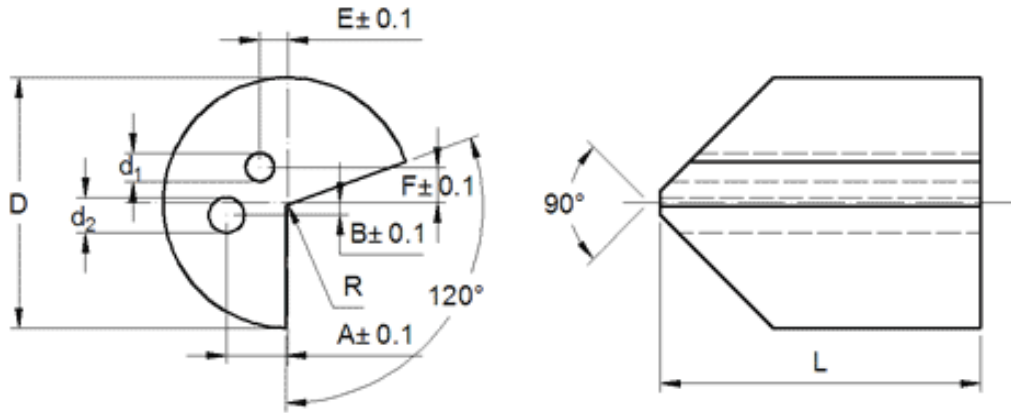




Cemented Carbide Rods for Gundrills



Unit: mm

Type	D	L	d1	d2
CTC-WDL	4.3~33.3	35~65	0.6~6.5	0.8~7.5

Tolerance: D: +0.3~+0.5; d1、d2: 0.2~0.4; L: +0.4~+1