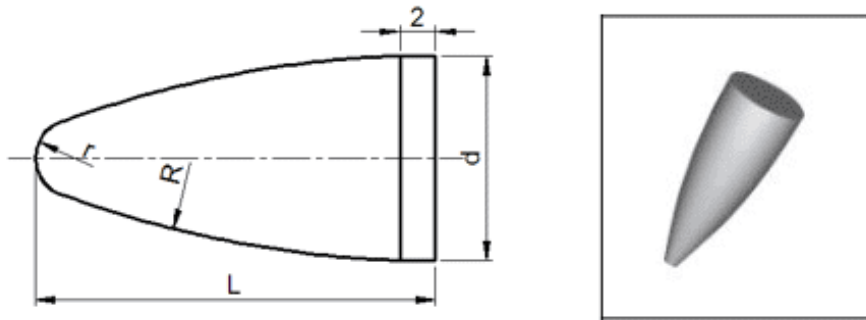




Cemented Carbide Rotary Teeth-Type G



Unit: mm

Type	d	L	r	R
CTC-NG0618	6.5	18.5		112
CTC-NG1020	10.5	20.5	2	56
CTC-NG1225	12.5	25.5		69

Tolerance: d: +0.2~+0.6; L: ±0.3