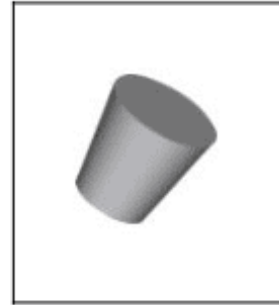
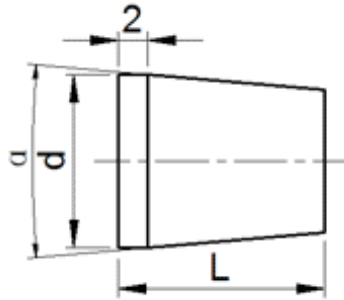




Cemented Carbide Rotary Teeth-Type N



Unit: mm

Type	d	L	α°
CTC-NN0607	6.5	7.5	20
CTC-NN0809	8.5	9.5	20
CTC-NN1011	10.5	11.5	20
CTC-NN1213	12.5	13.5	20/30
CTC-NN1613	16.5	13.5	30
CTC-NN1616	16.5	16.5	20

Tolerance: d: +0.4; L: ± 0.3