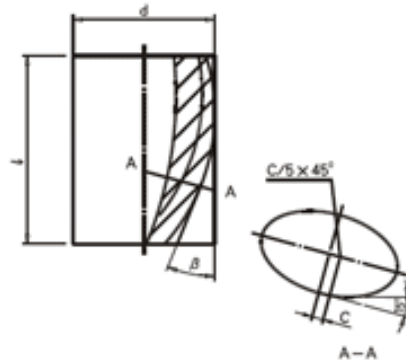




### Cemented Carbide Screw Insert-Type L25



Unit: mm

Type	$\beta^\circ$	d	l	b×c
CTC-T251027	25	10	27	2.5×1.4
CTC-T251222	25	12.3	22	3.5×2.5
CTC-T251227	25	12.3	27	3.5×2.5
CTC-T251422	25	14.3	22	3.5×2.5
CTC-T251427	25	14.3	27	3.5×2.5
CTC-T251434	25	14.3	34	3.5×2.5
CTC-T251627	25	16.3	27	3.5×2.5
CTC-T251634	25	16.3	34	3.5×2.5
CTC-T251640	25	16.3	40	3.5×2.5
CTC-T251827	25	18.3	27	3.5×2.5
CTC-T251834	25	18.3	34	3.5×2.5
CTC-T251838	25	18.3	38	3.5×2.5
CTC-T252034	25	20.4	34	4.5×3.0
CTC-T252038	25	20.4	38	3.5×2.5
CTC-T252042	25	20.4	42	4.5×3.0
CTC-T252045	25	20.4	45	3.5×2.5
CTC-T252234	25	22.4	34	4.5×3.0
CTC-T252238	25	22.4	38	3.5×2.5
CTC-T252242	25	22.4	42	4.5×3.0
CTC-T252542	25	25.4	42	4.5×3.0
CTC-T252553	25	25.4	53	4.5×3.0
CTC-T252842	25	28.4	42	5.2×2.7
CTC-T252853	25	28.4	53	5.2×2.7
CTC-T253242	25	32.4	42	5.2×2.7
CTC-T253253	25	32.4	53	5.2×2.7
CTC-T253642	25	36.4	42	6.2×3.2
CTC-T253653	25	36.4	53	6.2×3.2
CTC-T254053	25	40.4	53	6.2×3.2
CTC-T254066	25	40.4	66	6.2×3.2
CTC-T254553	25	45.4	53	7.2×3.7
CTC-T254566	25	45.4	66	7.2×3.7



Continued

Unit: mm

Type	$\beta^\circ$	d	l	b×c
CTC-T255066	25	50.4	66	7.2×3.7
CTC-T255083	25	50.4	83	7.2×3.7
CTC-T255666	25	56.4	66	7.2×3.7
CTC-T255683	25	56.4	83	7.2×3.7
CTC-T256366	25	63.5	66	8.0×4.0
CTC-T2563103	25	63.5	103	8.0×4.0
CTC-T257166	25	71.5	66	8.0×4.0
CTC-T2571103	25	71.5	103	8.0×4.0
CTC-T2580115	25	80.5	115	8.0×4.0

Basic dimensions with tolerance

Basic dimension	d for blade diameter			l for blade edge length			Section dimension			Blade helix angle $\beta$
	$7 \leq d < 20$	$20 \leq d < 63$	$d \geq 63$	$22 \leq l < 42$	$42 \leq l < 103$	$l \geq 103$	Section dimension	b	c	
Tolerance	+0.40	+0.50	+0.60	+3.00	+4.50	+6.00	regular	+0.60	+0.40	$\pm 1^\circ$
							higher			

Blades are also available for tobacco processing, chemical fiber cutting, slicing, mechanical stuff