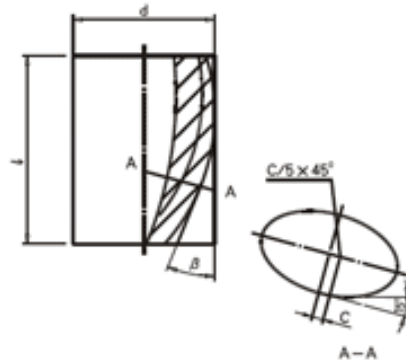




Cemented Carbide Screw Insert-Type L30



Unit: mm

Type	β°	d	l	b×c
CTC-T301222	30	12.3	22	3.5×2.5
CTC-T301227	30	12.3	27	3.5×2.5
CTC-T310422	30	14.3	22	3.5×2.5
CTC-T310427	30	14.3	27	3.5×2.5
CTC-T301627	30	16.3	27	3.5×2.5
CTC-T301634	30	16.3	34	3.5×2.5
CTC-T301827	30	18.3	27	3.5×2.5
CTC-T301834	30	18.3	34	3.5×2.5
CTC-T302034	30	20.4	34	4.5×3.0
CTC-T302042	30	20.4	42	4.5×3.0
CTC-T302234	30	22.4	34	4.5×3.0
CTC-T302242	30	22.4	42	4.5×3.0
CTC-T302542	30	25.4	42	4.5×3.0
CTC-T302553	30	25.4	53	4.5×3.0
CTC-T302842	30	28.4	42	4.5×3.0
CTC-T302845	30	28.4	45	4.5×3.0
CTC-T302853	30	28.4	53	4.5×3.0
CTC-T303053	30	30.4	53	4.5×3.0
CTC-T303242	30	32.4	42	5.0×3.2
CTC-T303253	30	32.4	53	5.0×3.2
CTC-T303642	30	36.4	42	5.0×3.2
CTC-T303653	30	36.4	53	5.0×3.2
CTC-T303853	30	38.4	53	5.0×3.2
CTC-T304053	30	40.4	53	5.0×3.2
CTC-T304066	30	40.4	66	5.0×3.2
CTC-T304253	30	42.4	53	5.0×3.2
CTC-T304553	30	45.4	53	6.0×3.4
CTC-T304566	30	45.4	66	6.0×3.4
CTC-T304853	30	48.4	53	5.0×3.2
CTC-T305066	30	50.4	66	6.0×3.4
CTC-T305083	30	50.4	83	6.0×3.4



Continued

Unit: mm

Type	β°	d	l	b×c
CTC-T305366	30	53.4	66	5.0×3.2
CTC-T305666	30	56.4	66	6.0×3.4
CTC-T305683	30	56.4	83	6.0×3.4
CTC-T306366	30	63.5	66	6.0×3.4
CTC-T3063103	30	63.5	103	6.0×3.4
CTC-T307166	30	71.5	66	7.0×4.0
CTC-T3071103	30	71.5	103	7.0×4.0
CTC-T3080115	30	80.5	115	7.0×4.0

Basic dimensions with tolerance

Basic dimension	d for blade diameter			l for blade edge length			Section dimension			Blade helix angle β
	$7 \leq d < 20$	$20 \leq d < 63$	$d \geq 63$	$22 \leq l < 42$	$42 \leq l < 103$	$l \geq 103$	Section dimension	b	c	
Tolerance	+0.40	+0.50	+0.60	+3.00	+4.50	+6.00	regular	+0.60	+0.40	$\pm 1^\circ$
							higher			

Blades are also available for tobacco processing, chemical fiber cutting, slicing, mechanical stuff