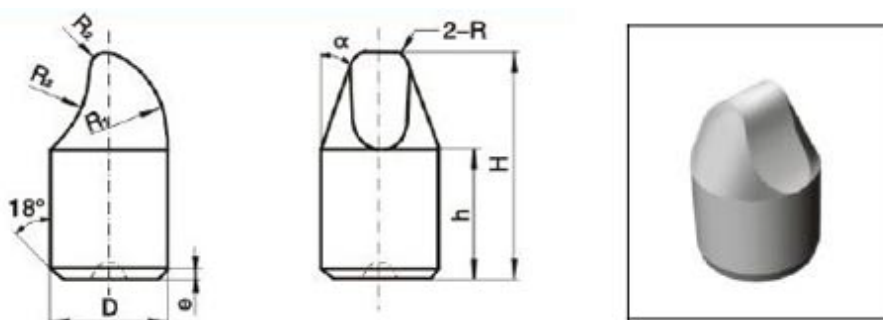


Cemented Carbide Spoon Button-Type CS



Unit: mm

Type	D	H	R	R1	R2	R3	h	α°	e
CTC-GCS1115	11.0	15.0	2.5	12.0	2.5	8.0	8.0	18	1.2
CTC-GCS1217	12.0	17.0	2.5	20.0	2.0	12.0	10.0	18	1.5
CTC-GCS1418	14.0	18.0	3.0	16.0	2.5	8.0	9.6	18	1.5
CTC-GCS1420	14.0	20.0	2.5	13.0	4.0	5.0	12.0	18	1.5
CTC-GCS1421	14.0	21.0	2.5	20.0	2.5	12.0	12.0	18	1.5
CTC-GCS1623	16.0	23.0	2.5	23.0	2.5	15.0	12.0	15	1.8
CTC-GCS1626	16.0	26.5	2.5	28.0	2.5	20.0	14.0	13	1.8
CTC-GCS1933	19.0	33.0	3.0	27.0	3.0	18.0	17.0	15	2.0
CTC-GCS2545	25.0	45.0	4.0	35.0	3.5	30.0	23.0	13	2.0
CTC-GCS-00007	19.0	30.0	3.0	22.0	3.0	16.0	15.5	14	2.0
CTC-GCS-03002	16.0	21.0	2.5	23.0	2.5	15.0	10.0	15	2.0
CTC-GCS-04001	16.0	23.0	2.5	25.0	2.2	16.0	11.7	15	1.5

Tolerance: D: +0.05; H: ±0.30