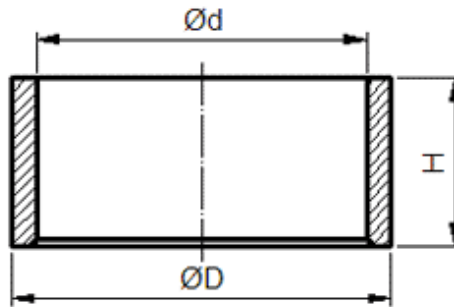




Cemented Carbide Straight Sleeve



Unit: mm

Type	D	d	H
CTC-GHDdH	10~300	3~260	8~150

Surface roughness: 3.2~0.1, roundness \leq 0.01, parallelism \leq 0.01, verticality \leq 0.01,
concentricity \leq 0.025, the round beating \leq 0.025, the whole beating \leq 0.025