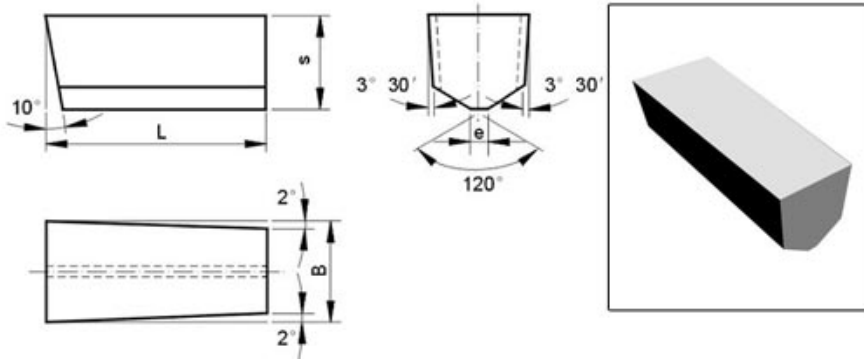




Cemented Carbide Thread Turning and Cut off Insert-Type J1



Unit: mm

Type	B	S	L	e
CTC-GJ112	3.5	3.0	12.3	0.5
CTC-GJ112A	4.5	4.0	12.3	0.5
CTC-GJ114	5.5	5.0	14.3	1.0
CTC-GJ114A	6.5	6.0	14.3	1.0

Tolerance: B: ± 0.30 ; S、L: ± 0.50