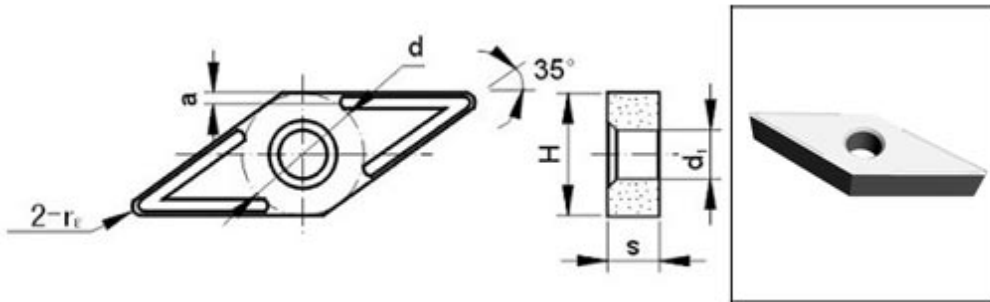




Cemented Carbide Turning Insert-Type 2V



Unit: mm

Type	d	H	s	re	a \approx	d1
CTC-G21008V	10.0	10.0	4.4	0.8	1.2	4.2
CTC-G21310V	13.0	13.0	5.5	1.0	1.4	5.2

Tolerance: d1: ± 0.20 ; s: ± 0.30 ; d、H: ± 0.50