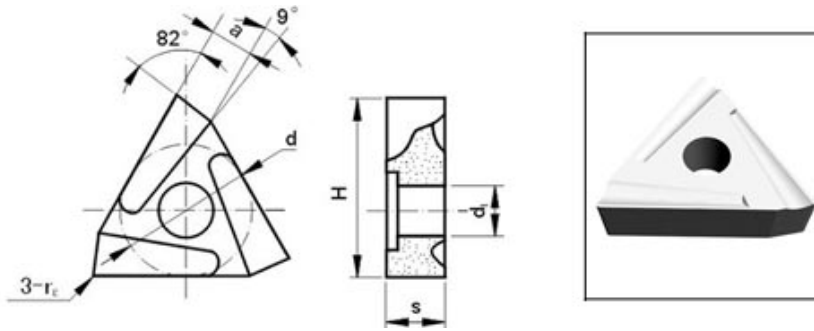




Cemented Carbide Turning Insert-Type 3D



Unit: mm

Type	d	s	re	H	a \approx	d1
CTC-G31003D	10.0	4.5	0.3	14.0	3.4	4.2
CTC-G31303D	13.0	5.5	0.3	18.2	4.4	5.2
CTC-G31603D	16.0	7.0	0.3	22.6	5.0	6.2
CTC-G31905D	19.0	8.5	0.5	26.0	5.7	7.2
CTC-G31003DL	10.0	4.5	0.3	14.0	3.4	4.2
CTC-G31303DL	13.0	5.5	0.3	18.2	4.4	5.2
CTC-G31603DL	16.0	7.0	0.3	22.6	5.0	6.2
CTC-G31905DL	19.0	8.5	0.5	26.0	5.7	7.2

Tolerance: d1: ± 0.20 ; s: ± 0.30 ; d、H: ± 0.50