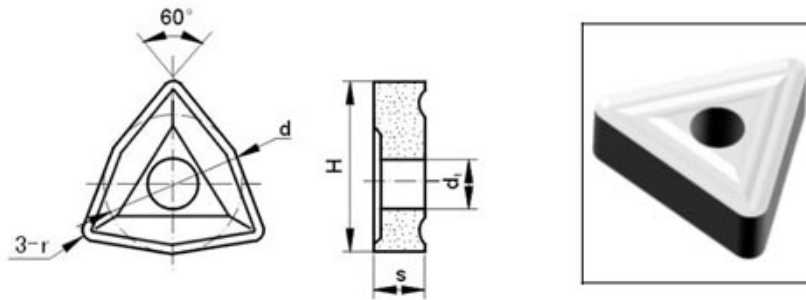




### Cemented Carbide Turning Insert-Type 3W



Unit: mm

Type	d	s	H	d1	r
CTC-G31310W	13.0	5.5	18.5	7.2	1.0
CTC-G31610W	16.0	7.0	23.0	6.2	1.0
CTC-G31620W	16.0	7.0	22.0	6.2	2.0

Tolerance: d1:  $\pm 0.20$ ; s:  $\pm 0.30$ ; d、H:  $\pm 0.50$