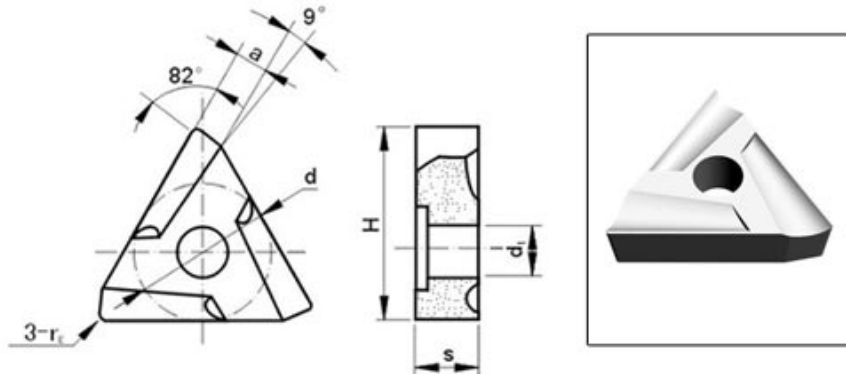




### Cemented Carbide Turning Insert-Type 3Y



Unit: mm

Type	d	s	re	H	a $\approx$	d1
CTC-G31002Y	10.0	4.5	0.2	14.5	3.4	4.2
CTC-G31303Y	13.0	5.5	0.3	18.2	5.7	5.2
CTC-G31603Y	16.0	7.0	0.3	22.6	6.8	6.2
CTC-G31905Y	19.0	8.5	0.5	26.0	7.0	7.2
CTC-G31002YL	10.0	4.5	0.2	14.5	3.4	4.2
CTC-G31303YL	13.0	5.5	0.3	18.2	5.7	5.2
CTC-G31603YL	16.0	7.0	0.3	22.6	6.8	6.2
CTC-G31905YL	19.0	8.5	0.5	26.0	7.0	7.2

Tolerance: d1:  $\pm 0.20$ ; s:  $\pm 0.30$ ; d、H:  $\pm 0.50$