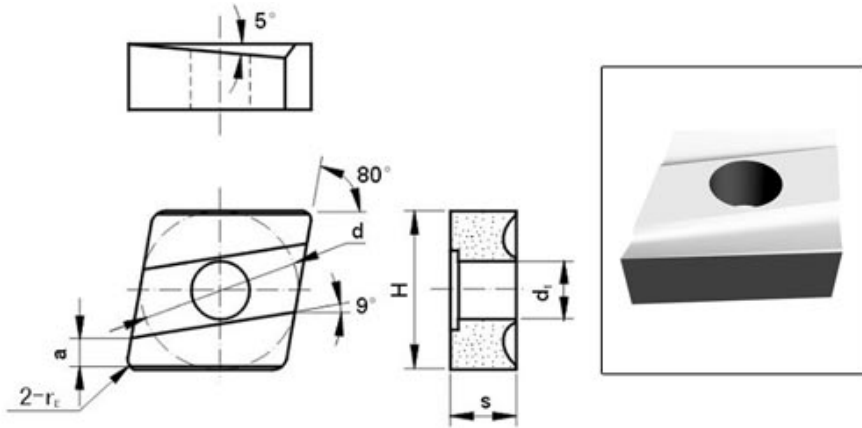




Cemented Carbide Turning Insert-Type CL



Unit: mm

Type	d	s	re	H	a \approx	d1
CTC-GC1005L	10.0	3.5	0.5	10.0	2.0	4.2
CTC-GC1305L	13.0	4.5	0.5	13.0	3.0	5.2
CTC-GC1610L	16.0	5.5	1.0	16.0	4.5	6.2
CTC-GC1910L	19.0	8.0	1.0	19.0	5.5	7.2
CTC-GC1005LL	10.0	3.5	0.5	10.0	2.0	4.2
CTC-GC1305LL	13.0	4.5	0.5	13.0	3.0	5.2
CTC-GC1610LL	16.0	5.5	1.0	16.0	4.5	6.2
CTC-GC1910LL	19.0	8.0	1.0	19.0	5.5	7.2

Tolerance: d1: ± 0.20 ; s: ± 0.30 ; d、H: ± 0.50