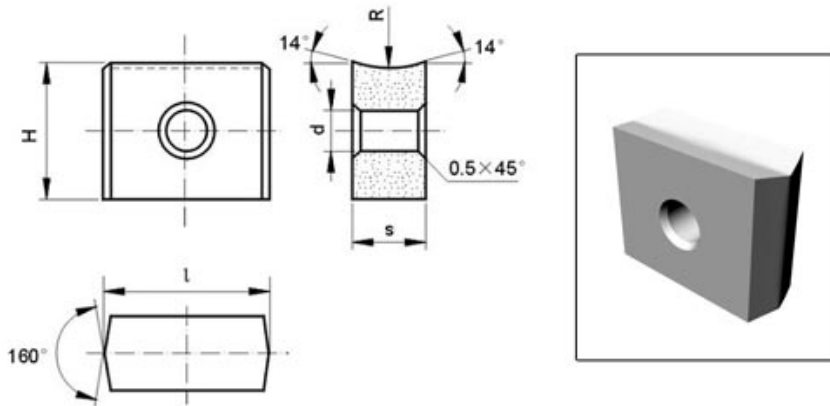




### Cemented Carbide Turning Insert-Type ZL



Unit: mm

Type	l	d	s	H	R
CTC-GZL-25	27.0	6.5	12.0	22.0	20.0
CTC-GZL-40	42.0	6.5	12.0	22.0	20.0

Tolerance: d1:  $\pm 0.20$ ; s:  $\pm 0.30$ ; d、H:  $\pm 0.50$