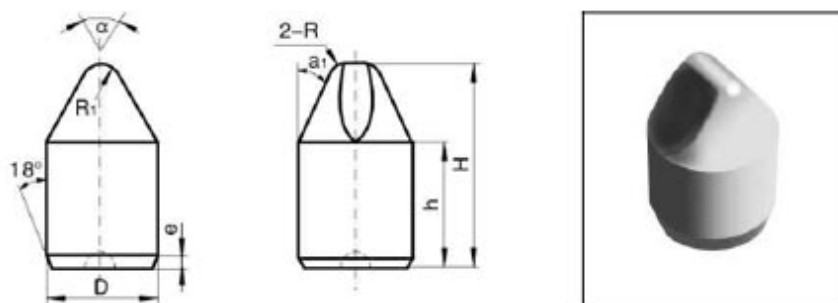


Cemented Carbide Wedge Button-Type CE



Unit: mm

Type	D	H	h	R	R1	α°	a1	e
CTC-GCE0811	8.0	11.0	7.5	1.5	1.5	90	15°	1.2
CTC-GCE1215	12.0	15.0	10.0	2.5	3.0	90	22°30'	1.5
CTC-GCE1217	12.0	17.0	10.5	3.0	3.0	70	22°30'	1.5
CTC-GCE1418	14.0	18.0	12.0	3.5	2.5	90	22°30'	1.5
CTC-GCE1419	14.0	19.0	11.0	4.5	3.5	65	20°	1.5
CTC-GCE-03004	16.0	21.0	11.0	3.0	2.6	70	22.5°	2.0
CTC-GCE1623A	16.0	23.0	12.0	3.5	3.0	60	18°	1.8
CTC-GCE1929	19.0	29.0	17.0	3.5	3.5	65	15°	2.0
CTC-GCE-00009	32.0	50.0	26.0	4.0	5.0	57	20°	2.2

Tolerance: D: +0.05; H: ±0.30