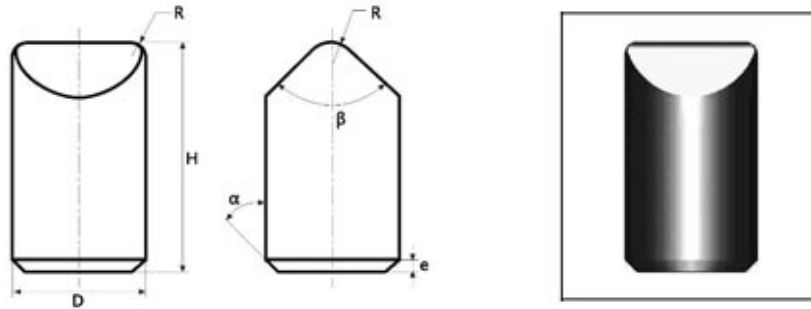




### Cemented Carbide Wing Tip Button



Unit: mm

Type	D	H	$\beta$	R	e	$\alpha$
CTC-AK3009	9.10	17.00	75°	1.0	0.5	45°
CTC-AK3010	10.50	18.15	90°	2.0	1.0	45°
CTC-AK3016	16.35	25.10	90°	2.0	1.0	45°
CTC-AK3019	19.35	30.15	90°	2.0	1.0	45°